

DMX-INTERFACE

DSWG512



FEATURES

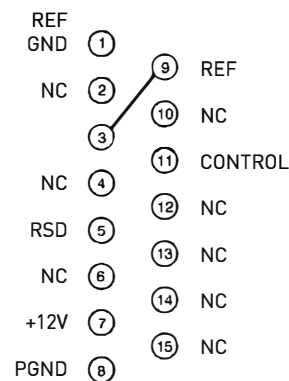
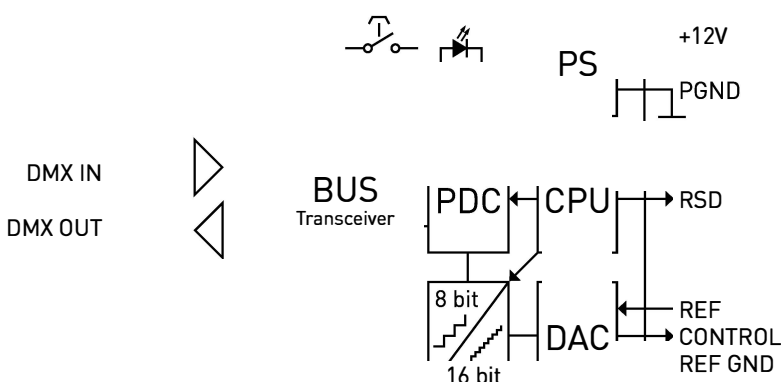
- Auto address allocation
- Internal resolution: 16 Bit (65.536 steps)
- Emergency light function (in case of missing DMX signal)
- Support for instant ON/OFF (flash/blackout)
- Upscaling enables to use low-cost Light-Mixing Tools for professional applications
- Customer specific upgrade options due to firmware update capabilities on request

Protocol: DMX-512-A

Supply-Voltage: 12V

Max. Current: 25mA

Insulation strength DMX Input: 500V



CE-label according to:

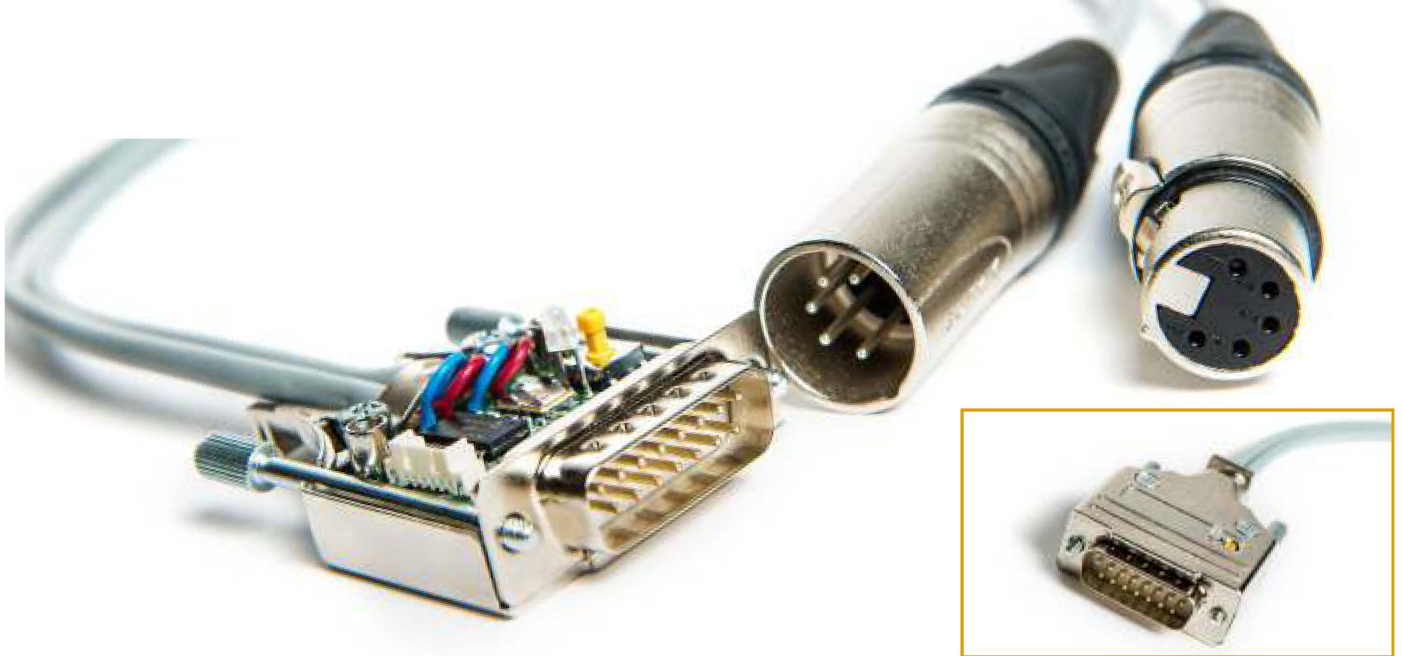
2006/95/EC: EN 50178

2004/108/EC: EN 61000-6-1

EN 61000-6-3

DMX-INTERFACE

DSWG512



OPERATING INSTRUCTIONS

- Connect the interface to the 15-pin SUB-D Connector of the soft-LED Dimming-Driver
- The green colour of the LED indicates the interface is ready for use
- To start the Auto-Address-Algorithm, press the switch-key (located on the upper side) for 5 seconds till the LED switches to red colour. Now the interface is in the programming-mode
- To allocate a specific address just fade the DMX-Channel you want to programm from MIN to MAX position 2 times
- By jumping back to green colour the LED indicates the DMX address was programmed to the interface successfully
- If you want to programm another address you can repeat these steps as often as you want