

Ruby Series

Track- Surface & Pendant Fixtures



> Ruby Series Track- Surface & Pendant Fixtures

Lighting designers and architects have a virtually limitless choice with the newly extended Ruby Series. Wherever recessed fixtures are not desirable or possible, Ruby fixtures offer the ultimate lighting solution.

Countless combinations are possible thanks to a large choice of (dynamic) light sources in 4 different outputs. No less than 5 different control/dimming options and a wide choice of mounting possibilities.

Ruby series: A unique approach to multi-purpose lighting

With the Ruby series you can:

- > Adjust the warmth of the light from subtle candlelight to bright daylight, synchronising the lighting system with the course of the days and seasons.
- > Change the mood of any room by simply programming the desired colour temperature from extremely warm to concentration-enhancing bright daylight.
- > Transforming a room into a festive environment for special occasions or product presentations by programming subtle colours.
- > Combining fixtures to create works of light art by using them in creative compositions.

In addition, with the arrival of the Ruby compact series, a variety of other applications are possible, from luxurious living environments to beautiful working lights in office applications.

Common applications of the series

- > Theatres, concert halls and pop stages
- > Event centres & exhibition areas
- > Museums & science centres
- > Atriums & auditoria
- > Showrooms, shops & malls
- > Conference halls
- > Modern office environments
- > Churches and other religious sites
- > Luxury residences

In addition to all the spaces listed above, you can probably think of many more places where the new CLS Ruby Series can be used!

Choice of various mounting variants

The Ruby series are available in a large number of mounting options. You can choose from pendant, bracket, pendant on rail and direct ceiling mounting.

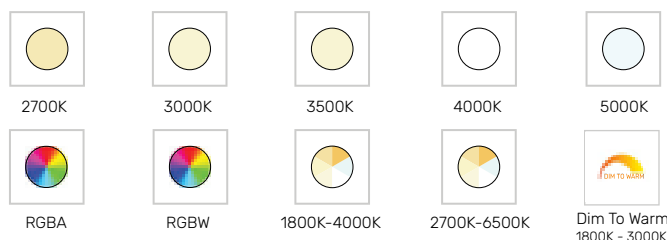


Choice of housing variants

The Ruby series are available in different dimensions. Depending on the desired light output and aesthetic requirements, you can choose the standard version or the Compact version.

Unlimited choice of light sources

- > White light in 2700K, 3000K, 3500K, 4000K & 5000K
Different CRI options are available from ≈80 to no less than ≈95
- > Tunable White in 1800K-4000K & 2700K-6500K
- > RGBW & RGBA
- > Dim To Warm in 1800K-3000K



Homogeneous & shadow-free colour mixing

The RGBW and RGBA variants use the CLS Dynamic Colour Chip light source, which offers incredible colour mixing. Our R&D department has developed a unique solution for the optical design of the Ruby Colour Flow series by means of advanced software. The use of a specifically developed mixing chamber for the colours, in combination with an extremely precise placement of four different coloured LEDs, ensures an unprecedentedly beautiful colour mixing in the RGBW and RGBA fixtures.



> Ruby Series Track- Surface & Pendant Fixtures

Available with different wattages

The Ruby series is available in 30, 45, 60 and 110 Watt versions. Not all light sources are available in all power ratings. We recommend using the CLS fixture configurator to put together the fixture of your choice. You can put together the fixture of your choice online on our website.

Large selection of dimming & control options

The CLS Ruby series has a wide range of dimming possibilities. The most important thing is that the quality of the dimming is unparalleled. Many users of CLS LED fixtures choose their fixtures on the basis of their dimming qualities. You will therefore find our fixtures worldwide in museums, galleries, theatres, concert halls and hotels.

CLS offers a choice of the following dimming and control methods:

- > 1-10V
- > DALI
- > Mains (Phase-cut)
- > DMX512
- > Wireless DMX
- > Wireless Bluetooth control through the Casambi system



Perfect dimming through the DMX protocol

The advanced electronic circuit of the DMX versions, designed by CLS, offers two dimming options:

- > Hybride dimming
- > Full Analogue dimming

(Please note that not all options are available for each version, if you are in doubt please contact your nearest CLS distributor)



In 99.9% of situations, there will be no camera flickering, which makes the Ruby series extremely suitable in all locations where camera recordings are used. This also means that the Ruby fixtures can be placed in buildings with Breeam certificates. (PWM dimming is not allowed in Breeam certified buildings)

For perfect dimming performance in the very lowest regions, the DMX versions are equipped with the Dynamic Soft Dim function. This DMX channel offers a variable control of the dimming curve.



Choice of beam angles

The Ruby is available in a spot, a medium flood and a wide flood beam angle. Larger beam angles are available by the use of optional beam shapers.

Ruby series



16°



45°



63°

Ruby Compact series



19°



37°



63°

Accessories

CLS offers a honeycomb as an accessory for situations where an extra reduction of possible nuisance glare is desired. Colour correction and other correction filters can be easily installed in the front ring of the Ruby within seconds.



Seamless integration with its environment

The Ruby series are standard available in black or white matt finish, which will ensure seamless integration in most interiors. CLS offers the possibility to deliver the Ruby series in almost every RAL colour. In this case extra costs and MOQ will apply.

A sound investment

Components of the highest possible quality are used for the production of the Ruby series without compromise. Unlike many other suppliers on the market who only claim to do so, CLS actually **designs and manufactures its fixtures in The Netherlands**. CLS belongs to a group of companies with more than 30 years of expertise in the professional lighting business.

> **Ruby Series** Track- Surface & Pendant Fixtures



The Oosterpoort Groningen, The Netherlands



Warmuseum Overloon, The Netherlands

> **Ruby Series** Track- Surface & Pendant Fixtures



Noorderkerk Hoon, The Netherlands



ESMO Fair Madrid, Spain

> **Ruby Series** Track- Surface & Pendant Fixtures



Photography Aatu Heikkonen / Inspiroiva Creative
Hansakortteli Shopping mall Turku, Finland



Westergasfabriek Amsterdam, The Netherlands

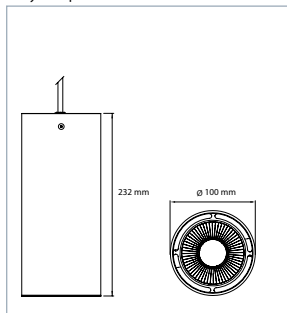
> Ruby Series Track- Surface & Pendant Fixtures



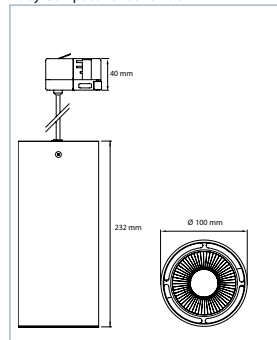
This Is Holland Amsterdam, The Netherlands

Measurements Ruby Compact

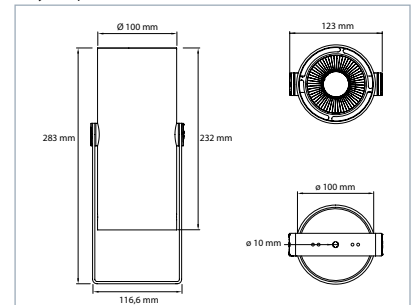
Ruby Compact Pendant



Ruby Compact Pendant Track

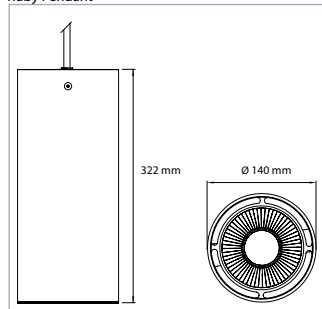


Ruby Compact Bracket

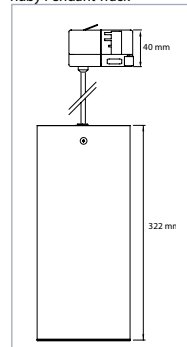


Measurements Ruby

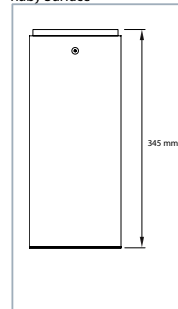
Ruby Pendant



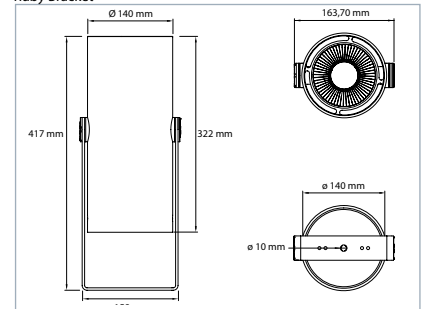
Ruby Pendant Track



Ruby Surface



Ruby Bracket



> Ruby Series Track- Surface & Pendant Fixtures

Technical Specifications

LED:	Citizen, Bridgelux or CLS Dynamic Colour Chip
Available colours:	CRI=80: 2500K, 2700K, 3000K, 4000K & 5000K CRI=92: 2700K, 3000K, 3500K, 4000K & 5000K
Colour changing:	RGBW or RGBA
Tunable White:	1800K - 4000K, 2700K - 6500K
Dim To Warm:	1800K - 3000K
Beam Angles:	Ruby: 16°, 49°, 63°* Ruby Compact: 19°, 37°, 63°*
Power Supply:	2100 ~ 240 VAC*
Power factor:	> 0.91*
Power consumption	6 serie: ~ 30 Watt 7 serie: ~ 45 Watt** 8 serie: ~ 60 Watt** 9 serie: ~110 Watt**
Housing:	Black (RAL9005), white (RAL9003) fine texture coating
Cable length:	Pendant/Pendant on track: 2, 4, 6, or 8 meter Bracket: 2 meters
Ambient temperature:	-10 °C till 40 °C

* Average value, may vary depending on the chosen version.

** Not available in Compact version.

Icons

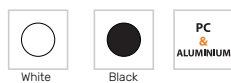
Colour & Colour temperatures



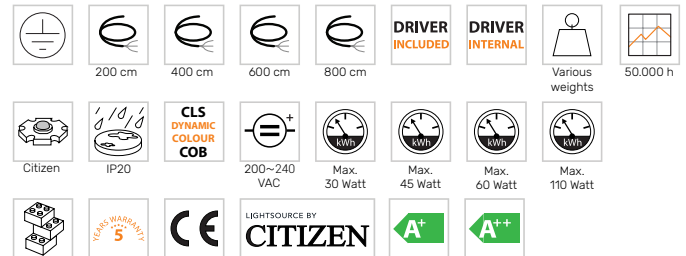
Optics



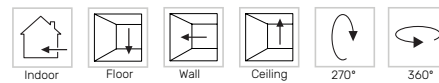
Housing & finish



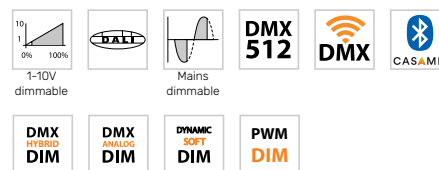
General specifications



Mounting options



Control options



N.B. All mentioned specifications and execution possibilities are indicative, as technical developments constantly lead to adapted specifications. With our online product configurator, you can see exactly which versions are possible.